

MOGENSEN-E – an efficient and compact solution!

MOGENSEN-E



- *Mogensen-E with single motor operation.*



- *A well thought-out construction allows fast screen cloth change.*



- *Ingenious system to achieve correct screen cloth tensioning.*



- *Frame with vibration-dampening springs.*



- *Strategically positioned inspection ports simplify screen cloth change.*



The patented **Mogensen-E** Sizer is an efficient, compact and flexible Sizer with outstanding performance and economical operation.

The E model's elliptical vibration movement, powered by a single motor operation, counteracts settling blockages and produces highly efficient break-up and segregation in the material flow. The unique system, with one vibrator, reduces power requirements, simplifies setting of the stroke length and facilitates maintenance. The modular construction enables simple, cost-effective process adaptation.

The Mogensen-E has a complete accessory program with various systems for wear protection and screen cloth cleaning. We can also offer electrical control systems for increased operational reliability.

The Mogensen-E is supplied on a support frame which simplifies transportation, installation and start-up. The well thought-out construction minimizes down time for service and screen cloth change, partly thanks to dust covers with rapid closure and good accessibility to all wear parts.

The Mogensen-E is a tried and tested construction that gives the best possible operational reliability even under extreme conditions.

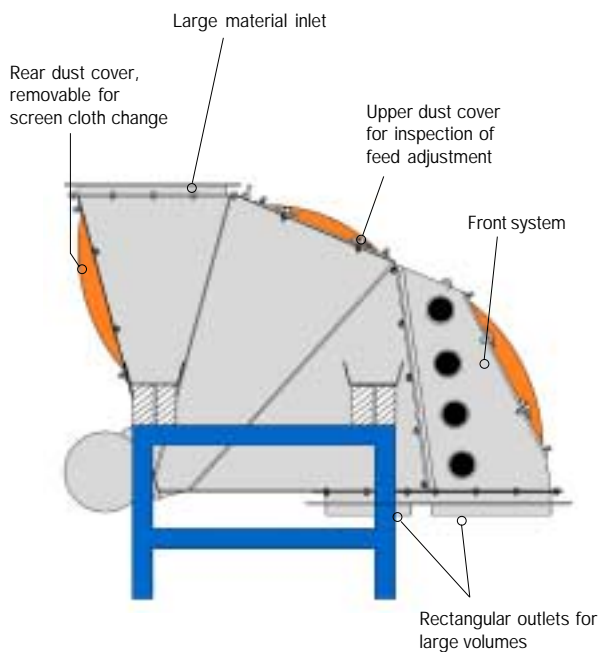
A flexible range of Sizers

The **Mogensen-E** is primarily intended for separating sizes of around 0.1–30 mm, and can handle input dimensions up to around 50 mm. It can be supplied in widths of between 0.5 and 2 m, with up to four screening decks.

Standard equipment includes a feeder unit with adjustable spreader, which often eliminates the need for a separate feeder. There is also a wide selection of different inlets and outlets. The Sizer is meticulously tested prior to delivery, to guarantee function and quality.

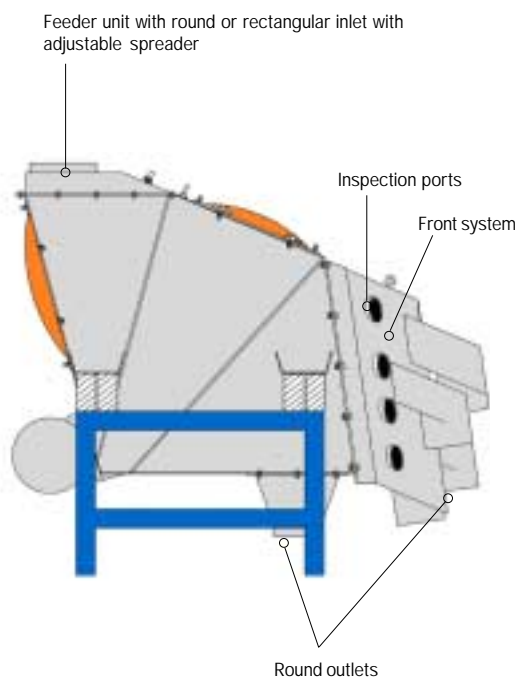


We at Mogensen can help customers verify potential screening solutions in our test center.



E 1546

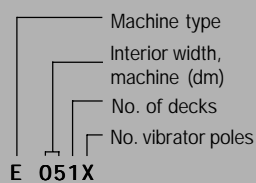
Suitable for large volumes and/or coarse materials.



E 1544

Equipped with maximum number of product outlets for screening a large number of fractions.

- Large capacity
- High screening efficiency
- Compact and lightweight
- Low power requirement
- Robust and operationally reliable construction
- Wide range of accessories
- Maintenance-friendly
- Modular design
- Simple operation



Type	Width	Length	Height	Type	Width	Length	Height
E051X	890	1960	1030	E151X	1885	1960	1205
E052X	890	2040	1265	E152X	1885	2290	1450
E053X	890	2110	1540	E153X	1885	2330	1705
E054X	890	2280	1800	E154X	1885	2420	1980
E101X	1390	1980	1120	E201X	2400	2180	1460
E102X	1390	2170	1365	E202X	2400	2630	1705
E103X	1390	2240	1615	E203X	2400	2650	1950
E104X	1390	2340	1880	E204X	2400	2780	2205

