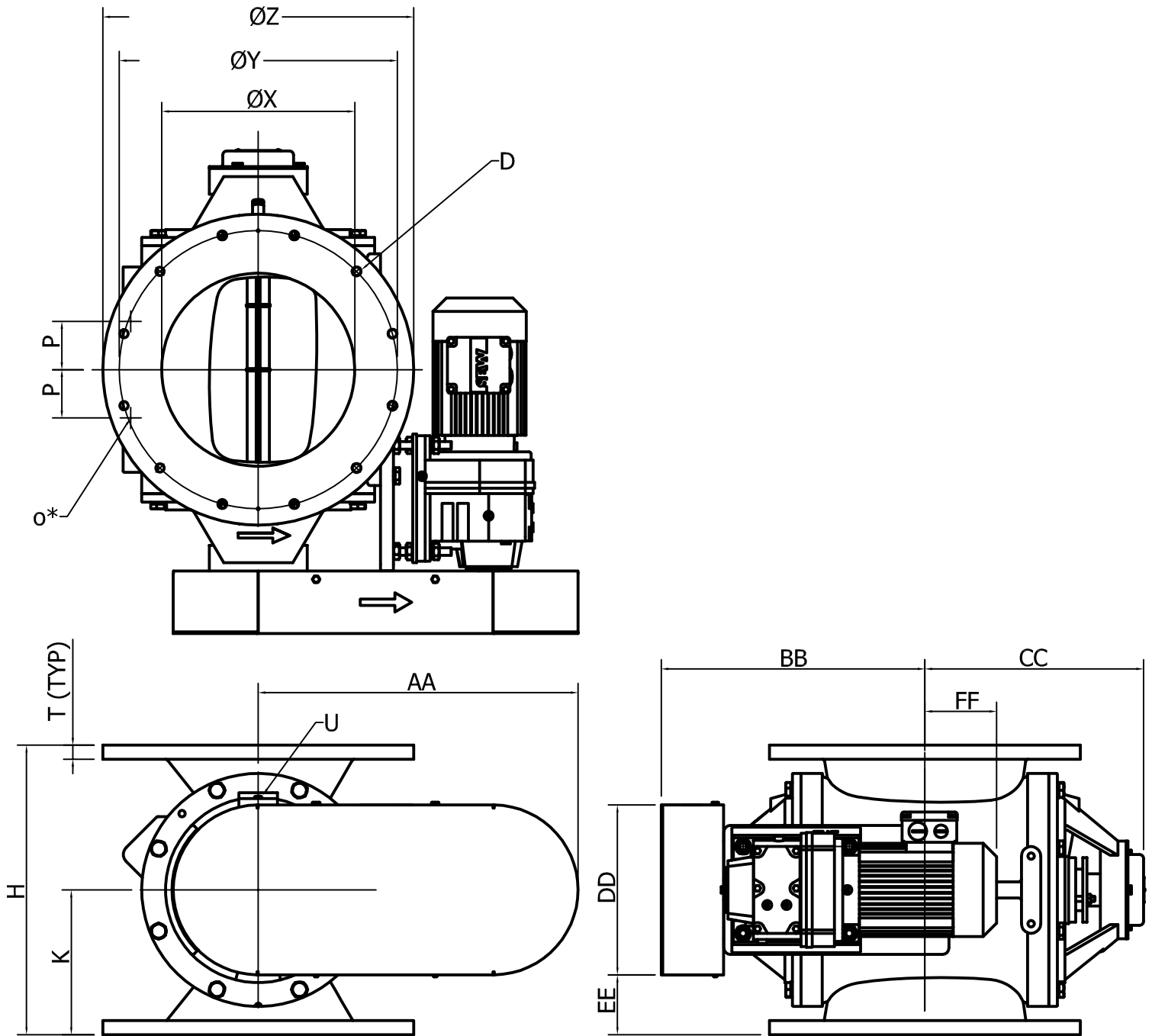


# Dimension of NDT Valve - Chain Drive



Type NDT	Swept Volume	Ø X	Ø Y	D	ØZ	H	K	O* (BSP)	P	T	U (BSP)	AA	BB	CC	DD	EE	FF	Type SEW
	in M <sup>3</sup>																	
375	0.006	205	310	8xM10	345	307	153.5	-	-	20	1/4"	400	290	240	230	40	145	R37
500	0.013	235	286	8xM10	315	337	168.5	1 1/4"	75	24	1/4"	470	375	300	265	40	160	R47
500-10	0.013	254	362	12xØ13	406	400	200	-	-	18	1/4"	470	375	300	265	68	160	R47
750	0.022	300	432	12xØ13	483	450	225	1 1/4"	75	22	1/4"	500	410	340	265	100	110	R47

\*Standard pre-drilled & plugged vent holes for cast iron executions.

All dimensions are in mm.

Note: We reserve the rights to modify the dimensions without prior notice.