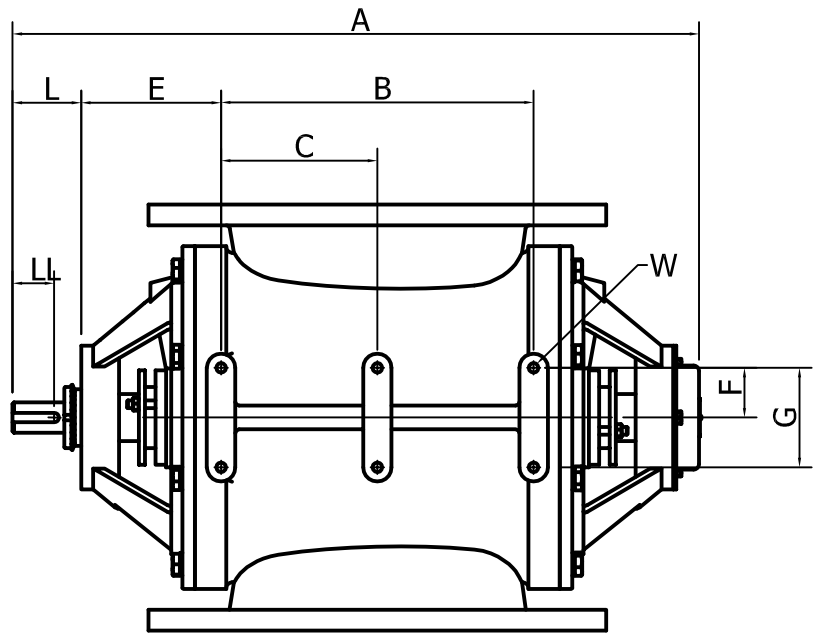
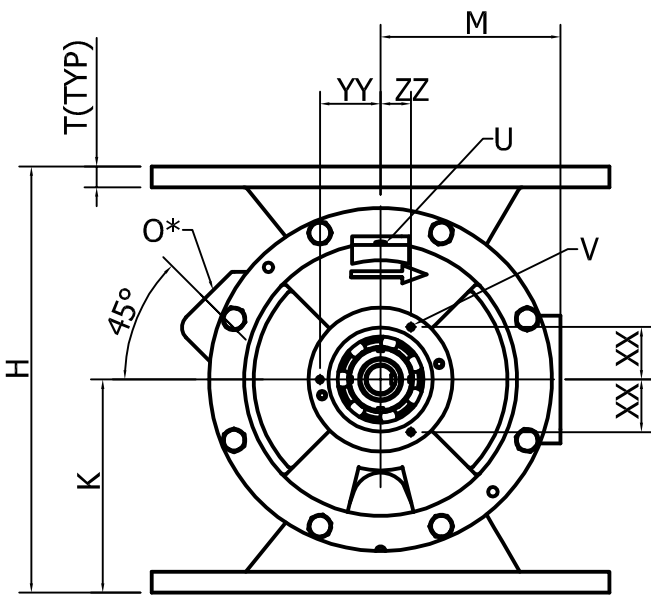
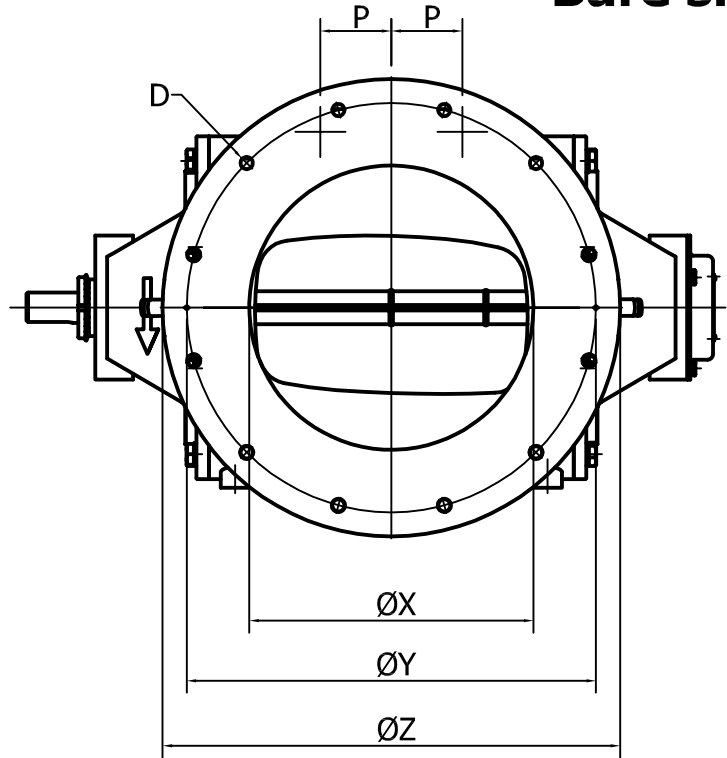
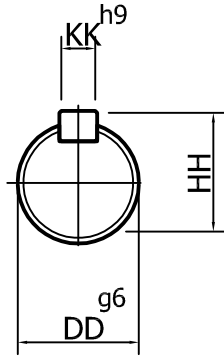


Dimensions of NDT Valve - Bare shaft



Type NDT	Swept Volume	Ø X	Ø Y	D	ØZ	A	B	C	E	F	G	H	K	L	M	O* (BSP)
	in M ³															
375	0.006	205	310	8xM10	345	508	165	-	130	35	70	307	153.5	60	140	-
500	0.013	235	286	8xM10	315	650	274	-	138	52.5	105	337	168.5	72	160	1 1/4"
500-10	0.013	254	362	12xØ13	406	650	274	-	138	45	90	400	200	72	158	-
750	0.022	300	432	12xØ13	483	725	330	165	148	52.5	105	450	225	72	190	1 1/4"

Type NDT	P	T	U (BSP)	V	W	XX	YY	ZZ	DD	KK	HH	LL
375	-	20	1/4"	3xM6	4xM10	37.1	52.5	37.1	30	8	33	36
500	75	24	1/4"	3xM8	4xM12	55.4	64	32	32	10	35	44
500-10	-	18	1/4"	3xM8	4xM10	55.4	64	32	32	10	35	44
750	75	22	1/4"	3xM8	6xM12	55.4	64	32	32	10	35	44

*Standard pre-drilled & plugged vent holes for cast iron execution.
 All dimensions are in mm.
 Note: We reserve the rights to modify the dimensions without prior notice.