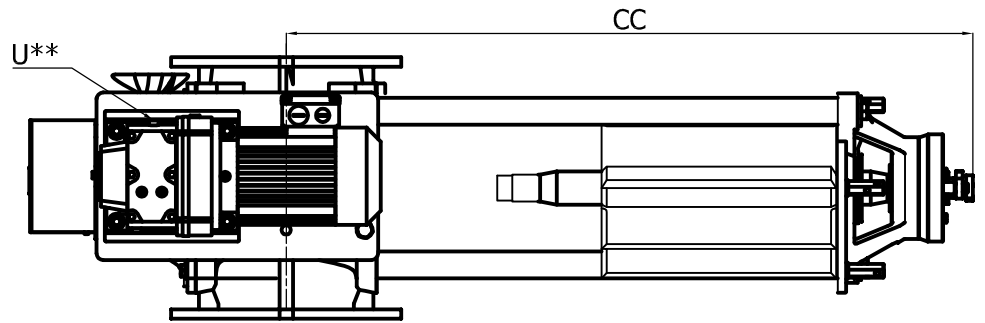
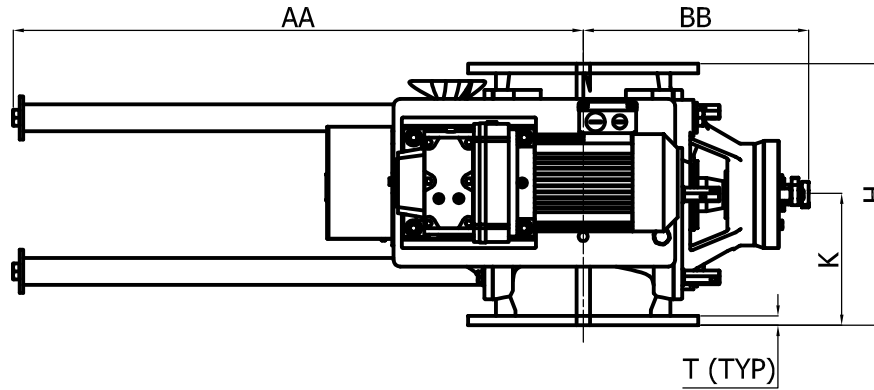
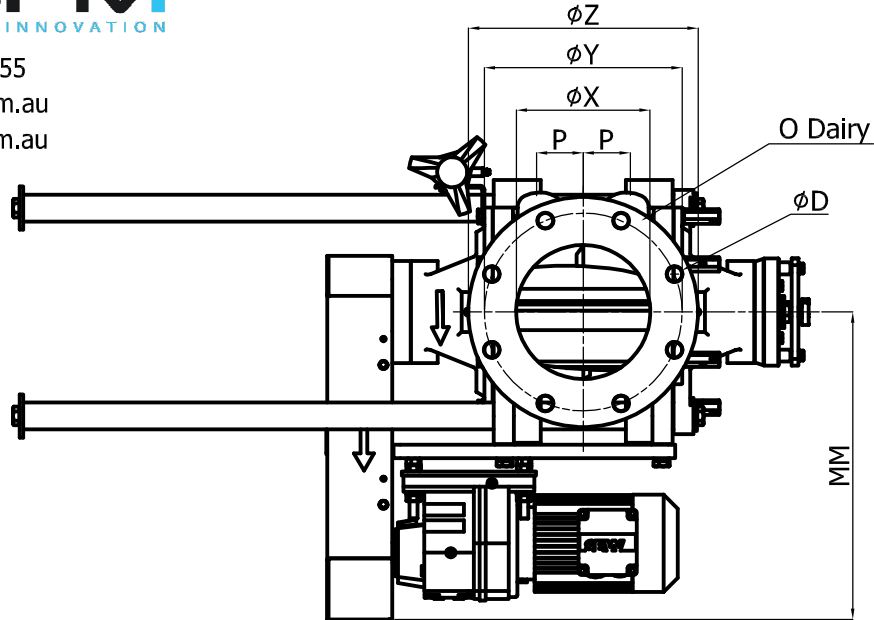


Dimension of DT-DCSR Rotary Valve -Chain Drive



Type DT	Swept Volume in M ³	DIN			ANSI #150			H	K	P	T	U** (BSP)	O Dairy (UNEF)	AA	BB	MM
		phi X	phi Y	phi D	phi Z	phi Y	phi D									
150	0.003	150	240	8Xphi23	285	241.3	8Xphi22.2	280	140	40	12	1/4" (phi10)	1 1/8"	655	275	363
175	0.006	175	270	8Xphi23	315	-	-	330	165	53	14	1/4" (phi10)	1 1/8"	635	295	385
200	0.011	200	295	8Xphi23	343	298.4	8Xphi22.2	390	195	65	14	1/4" (phi10)	1 1/8"	855	330	459
250	0.019	250	350	12Xphi23	406	361.9	12Xphi25.4	450	225	75	16	1/4" (phi10)	1 1/8"	830	355	489
300	0.034	300	400	12Xphi23	483	431.8	12Xphi25.4	540	270	95	21	3/8" (phi10)	1 1/8"	890	405	527
350	0.058	350	460	16Xphi23	530	476.2	16Xphi28.6	660	330	112	26	3/8" (phi10)	1 1/8"	1055	440	617

Type DT	CC	Type Sew
150	895	R37
175	875	R37
200	1110	R47
250	1085	R47
300	1155	R57
350	1315	R67

**Air Purge Connection

All Dimension's are in mm.

NOTE: We Reserve the rights to modify the dimension without prior notice