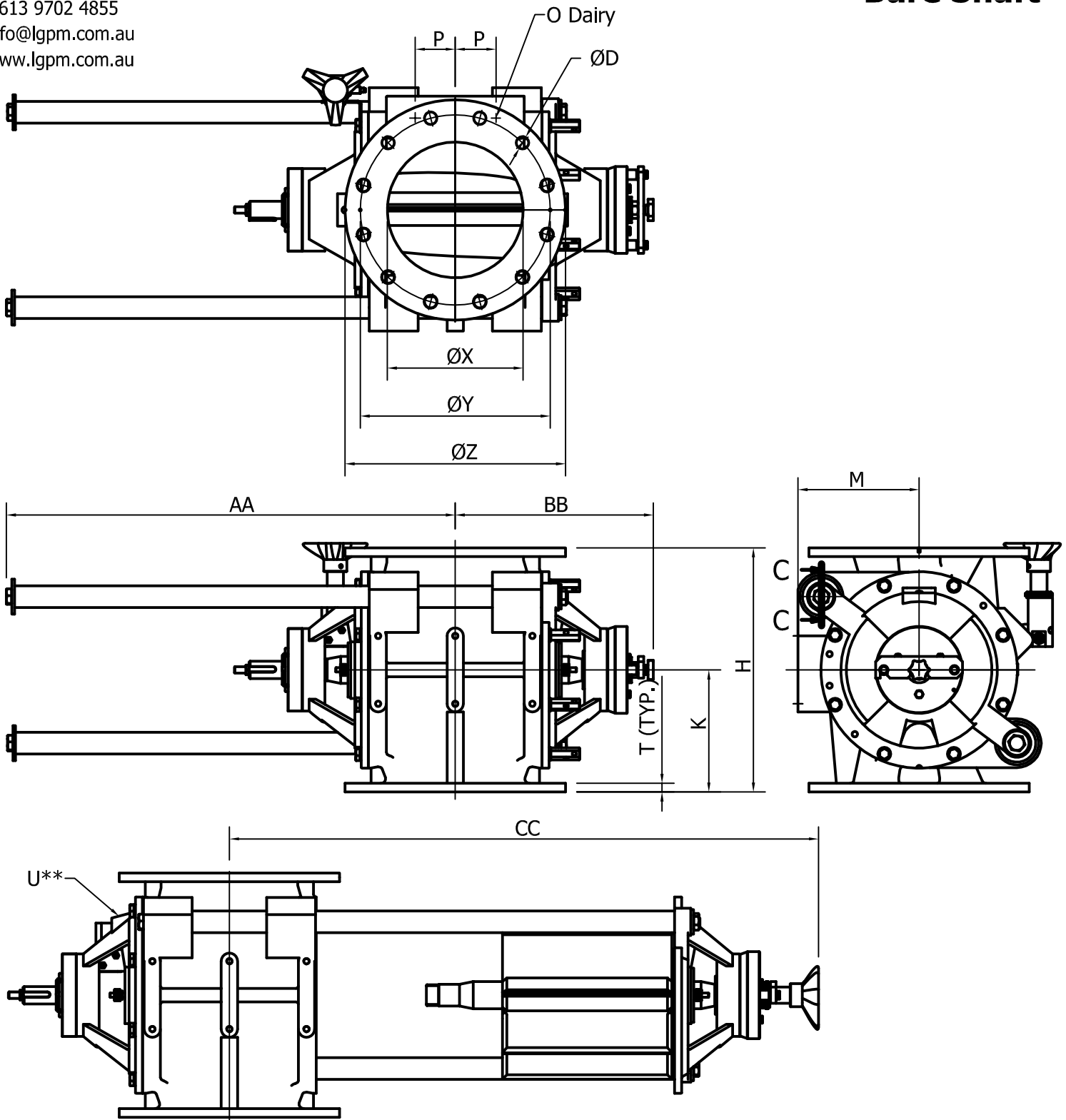


Dimension of DT-DCSR Rotary Valve - Bare Shaft



Type DT	Swept Volume In M ³	DIN				ANSI #150		H	K	M	P	T	U ^{**} (BSP)	O Dairy (UNEF)	AA	BB	CC
		$\varnothing X$	$\varnothing Y$	$\varnothing D$	$\varnothing Z$	$\varnothing Y$	$\varnothing D$										
150	0.003	150	240	8x $\varnothing 23$	285	241.3	8x $\varnothing 22.2$	280	140	143	40	12	¼" ($\varnothing 10$)	1 ⅛"	655	275	895
175	0.006	175	270	8x $\varnothing 23$	315	-	-	330	165	165	53	14	¼" ($\varnothing 10$)	1 ⅛"	635	295	875
200	0.011	200	295	8x $\varnothing 23$	343	298.4	8x $\varnothing 22.2$	390	195	198	65	14	¼" ($\varnothing 10$)	1 ⅛"	855	330	1110
250	0.019	250	350	12x $\varnothing 23$	406	361.9	12x $\varnothing 25.4$	450	225	223	75	16	¼" ($\varnothing 10$)	1 ⅛"	830	355	1085
300	0.034	300	400	12x $\varnothing 23$	483	431.8	12x $\varnothing 25.4$	540	270	225	95	21	⅜" ($\varnothing 10$)	1 ⅛"	890	405	1155
350	0.058	350	460	16x $\varnothing 23$	530	476.2	12x $\varnothing 28.6$	660	330	270	112	26	⅜" ($\varnothing 10$)	1 ⅛"	1055	440	1315

**Air purge connection

All dimensions are in mm.

Note: We reserve the rights to modify the dimensions without prior notice.