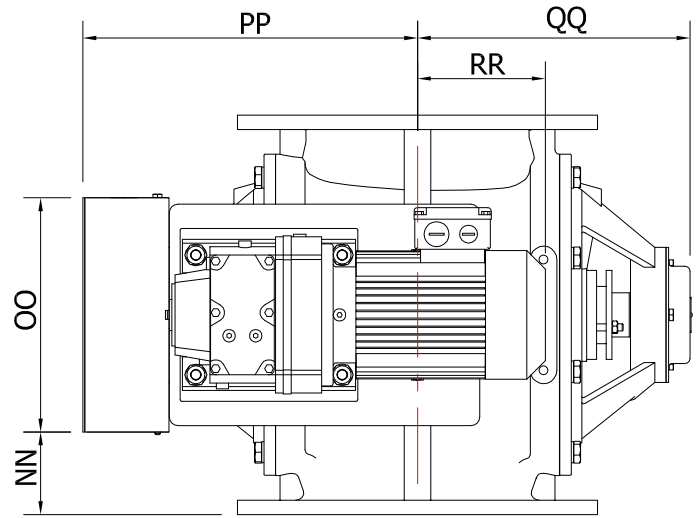
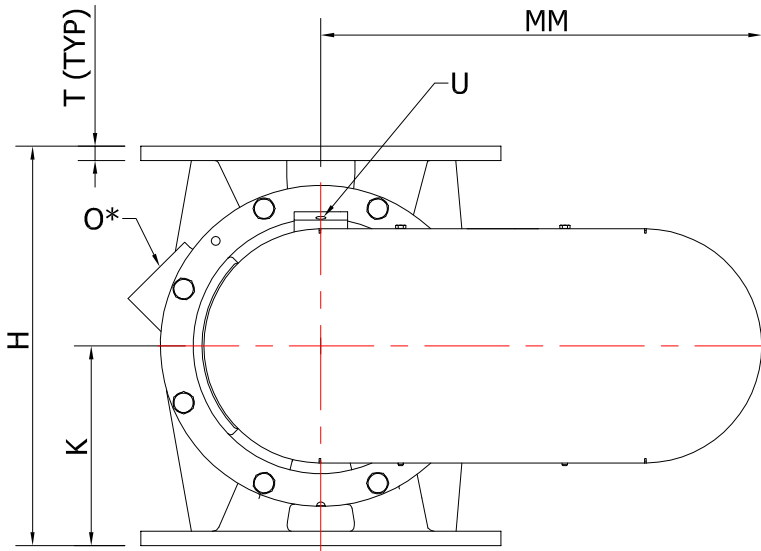
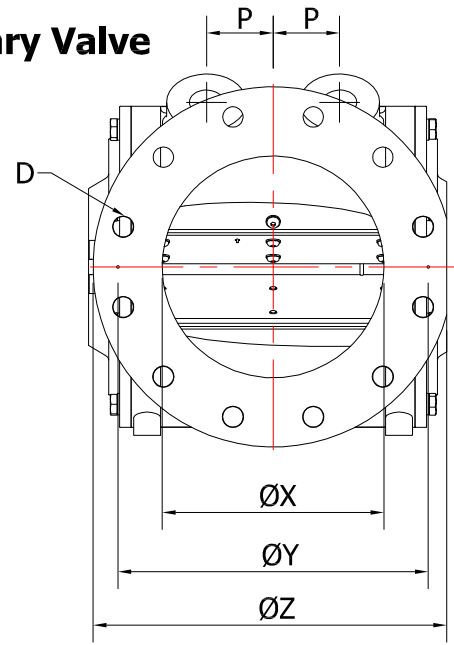


Dimension of DT Rotary Valve - Chain drive

+613 9702 4855
info@lgpm.com.au
www.lgpm.com.au



Type DT	Swept Volume	DIN				ANSI #150		H	K	Ø*	P	T	U (BSP)	MM	NN	OO
	in M ³	Ø X	Ø Y	Ø D	Ø Z	Ø Y	Ø D									
100	0.001	100	170	4xØ18	210	-	-	180	90	-	-	10.5	1/8"	325	18	145
150	0.003	150	240	8xØ23	285	241.3	8xØ22.2	280	140	3/4"	40	12	1/4"	380	25	230
175	0.006	175	270	8xØ23	315	-	-	330	165	1"	53	14	1/4"	395	50	230
200	0.011	200	295	8xØ23	343	298.4	8xØ22.2	390	195	1 1/4"	65	14	1/4"	465	65	265
250	0.019	250	350	12xØ23	406	361.9	12xØ25.4	450	225	1 1/4"	75	16	1/4"	500	95	265
300	0.034	300	400	12xØ23	483	431.8	12xØ25.4	540	270	1 1/2"	95	21	3/8"	550	125	295
350	0.058	350	460	16xØ23	530	476.2	12xØ28.6	660	330	1 1/2"	112	26	3/8"	660	185	295
400	0.091	400	515	16xØ26	595	539.7	16xØ28.6	750	375	2"	125	26	3/8"	750	240	270
450	0.135	450	565	20xØ26	615	577.8	16xØ31.7	855	427.5	2"	163	26	3/8"	860	295	270
500	0.230	500	620	20xØ27	670	635	20xØ31.7	960	480	2"	180	28	3/8"	960	345	270

Type DT	PP	QQ	RR	Type SEW
100	205	145	205	R27
150	275	225	155	R37
175	295	245	135	R37
200	355	280	175	R47
250	375	310	145	R47
300	445	360	125	R57
350	475	395	115	R67
400	520	435	175	R87
450	610	485	165	R97
500	650	540	160	R97

* Standard pre - drilled & plug tapped holes for cast iron execution.

All dimensions are in mm.

Note: We reserve the rights to modify the dimensions without prior notice.