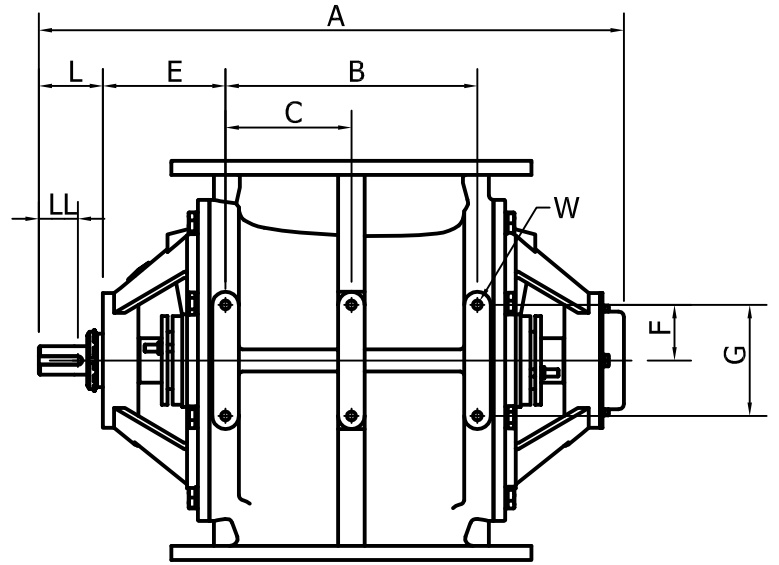
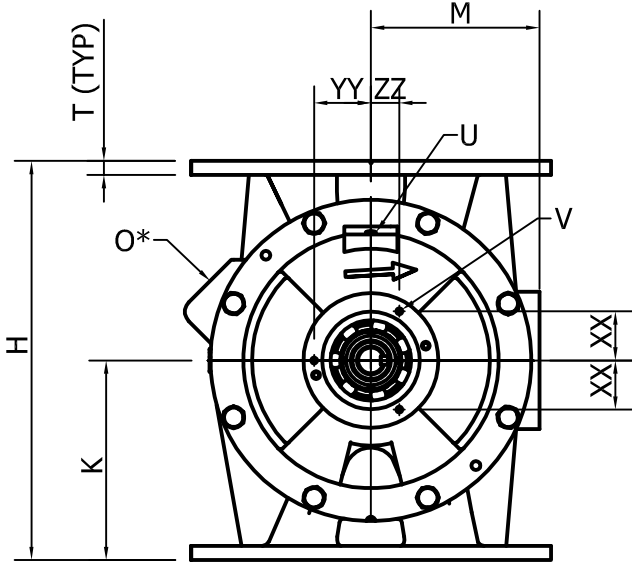
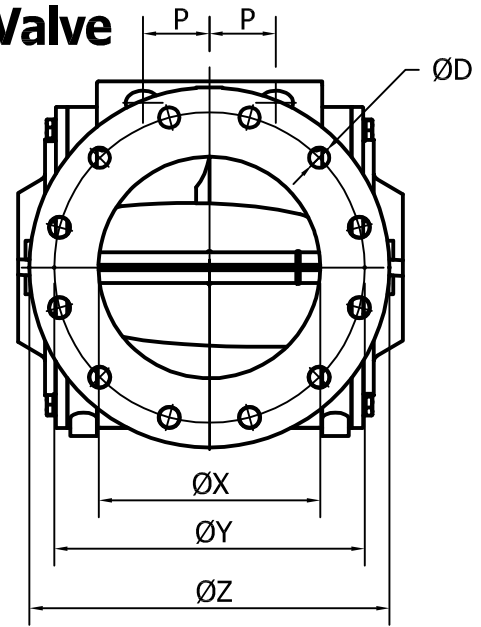
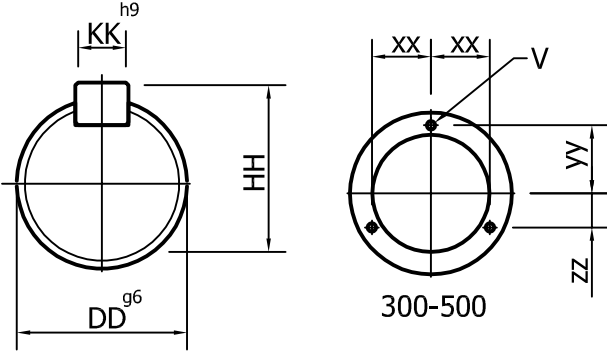


Dimension of DT Rotary Valve -Bare Shaft

+613 9702 4855
info@lgpm.com.au
www.lgpm.com.au



Type DT	Swept Volume	DIN				ANSI #150		A	B	C	E	F	G	H	K	L	M	Ø*
	in M ³	Ø X	Ø Y	Ø D	Ø Z	Ø Y	Ø D											
100	0.001	100	170	4xØ18	210	-	-	328	90	-	84	32.5	75	180	90	54	90	-
150	0.003	150	240	8xØ23	285	241.3	8xØ22.2	484	146	-	127	50	100	280	140	60	110	¾"
175	0.006	175	270	8xØ23	315	-	-	524	190	-	125	50	100	330	165	60	130	1"
200	0.011	200	295	8xØ23	343	298.4	8xØ22.2	609	234	-	138	62.5	125	390	195	72	160	1 ¼"
250	0.019	250	350	12xØ23	406	361.9	12xØ25.4	659	284	142	138	62.5	125	450	225	72	190	1 ¼"
300	0.034	300	400	12xØ23	483	431.8	12xØ25.4	763	360	180	150	62.5	125	540	270	74	225	1 ½"
350	0.058	350	460	16xØ23	530	476.2	12xØ28.6	833	420	210	155	62.5	125	660	330	74	270	1 ½"
400	0.091	400	515	16xØ26	595	539.7	16xØ28.6	944	500	250	154	100	200	750	375	108	325	2"
450	0.135	450	565	20xØ26	615	577.8	16xØ31.7	1052	572	286	170	150	300	855	427.5	111	380	2"
500	0.230	500	620	20xØ27	670	635	20xØ31.7	1147	650	325	171	130	340	960	480	110	435	2"

Type DT	P	T	U (BSP)	V	W	XX	YY	ZZ	DD	KK	HH	LL
100	-	10.5	⅛"	2xM6	4xM8	35	-	-	25	8	28	39
150	40	12	¼"	3xM6	4xM10	37.1	52.5	37.1	30	8	33	36
175	53	14	¼"	3xM6	4xM10	37.1	52.5	37.1	30	8	33	36
200	65	14	¼"	3xM8	4xM12	55.4	64	32	32	10	35	44
250	75	16	¼"	3xM8	6xM12	55.4	64	32	32	10	35	44
300	95	21	⅜"	3xM10	6xM12	73.6	85	42.5	38	10	41	45
350	112	26	⅜"	3xM10	6xM12	73.6	85	42.5	38	10	41	45
400	125	26	⅜"	3xM10	6xM16	73.6	85	42.5	50	14	54	70
450	163	26	⅜"	3xM10	6xM16	73.6	85	42.5	60	18	64	70
500	180	28	⅜"	3xM10	6xM16	99.6	115	57.5	60	18	64	70

* Standard pre - drilled & plug tapped holes for cast iron execution.

All dimensions are in mm.

Note: We reserve the rights to modify the dimensions without prior notice.