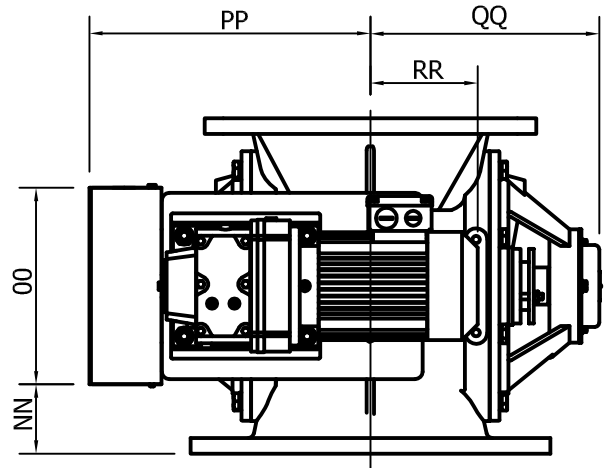
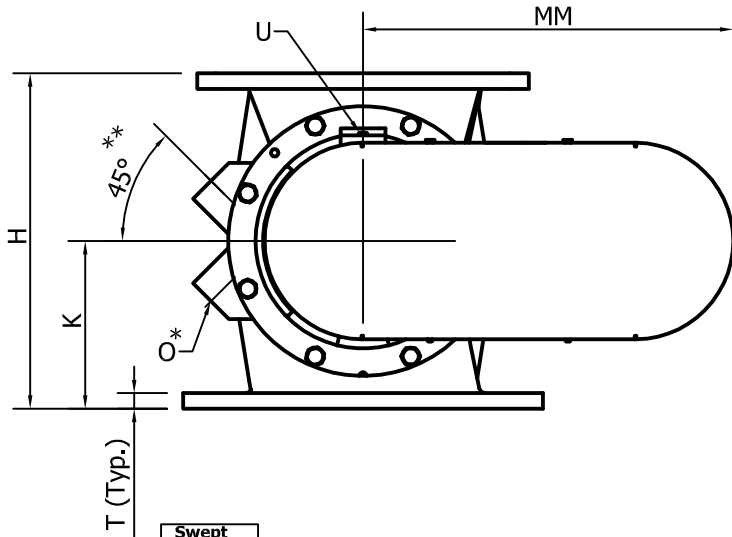
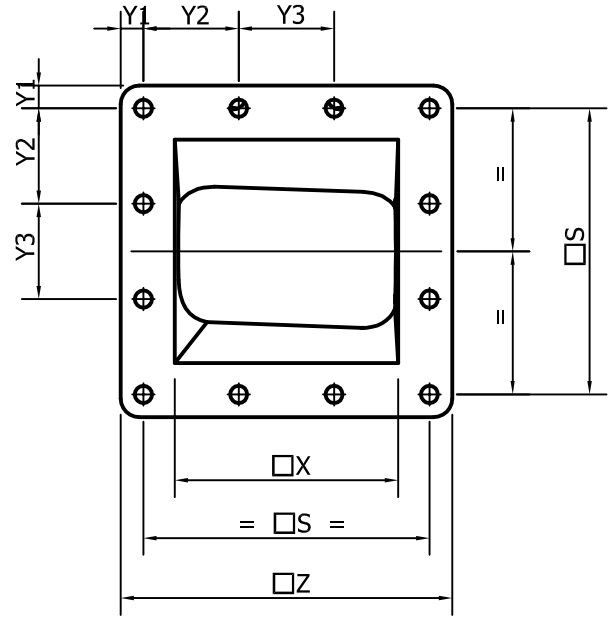
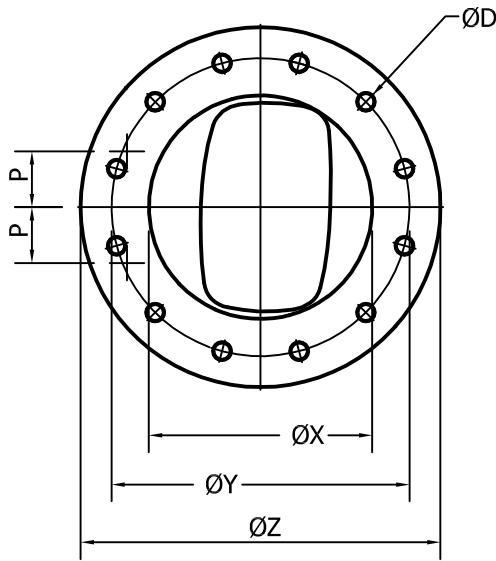


Dimension of DST Rotary Valve - Chain Drive



Type DST	Swept Volume	Ø X	□ X	Ø Y	Ø Z	□ Z	Ø D	H	K	O* (BSP)	P	T	U	□ S	Y1	Y2	Y3
	in M ³																
100	0.001	100	100	170	210	175	4xØ18	170	85	-	-	11	1/8"	135	20	135	-
150	0.003	150	150	240	285	267	8xØ23	275	137.5	3/4"	40	11	1/4"	222	88	92	-
200	0.006	200	200	295	340	320	8xØ23	325	162.5	1"	53	14	1/4"	273	104	113	-
250	0.011	250	250	350	395	370	12xØ23	380	190	1 1/4"	65	14	1/4"	324	23	108	108
300	0.019	300	300	400	483	445	12xØ23	450	225	1 1/4"	75	21	1/4"	384	30.5	128	128
350	0.034	350	350	460	530	530	16xØ23	540	270	1 1/2"	95	21	3/8"	460	109	104	104
400	0.058	400	400	515	595	595	16xØ26	660	330	1 1/2"	112	26	3/8"	515	125	115	115

Type DST	MM	NN	OO	PP	QQ	RR	Type SEW
100	322	13	144	206	146	205	R27
150	375	23	229	277	224	157	R37
200	395	48	229	352	282	137	R37
250	467	58	264	352	282	174	R47
300	497	93	264	377	307	144	R47
350	547	123	294	442	360	126	R57
400	617	183	294	471	395	114	R67

All dimensions are in mm.

Note: We reserve the rights to modify the dimensions without prior notice.

* Standard pre - drilled & plug tapped holes for cast iron execution.
 ** O° For Size DST - 100