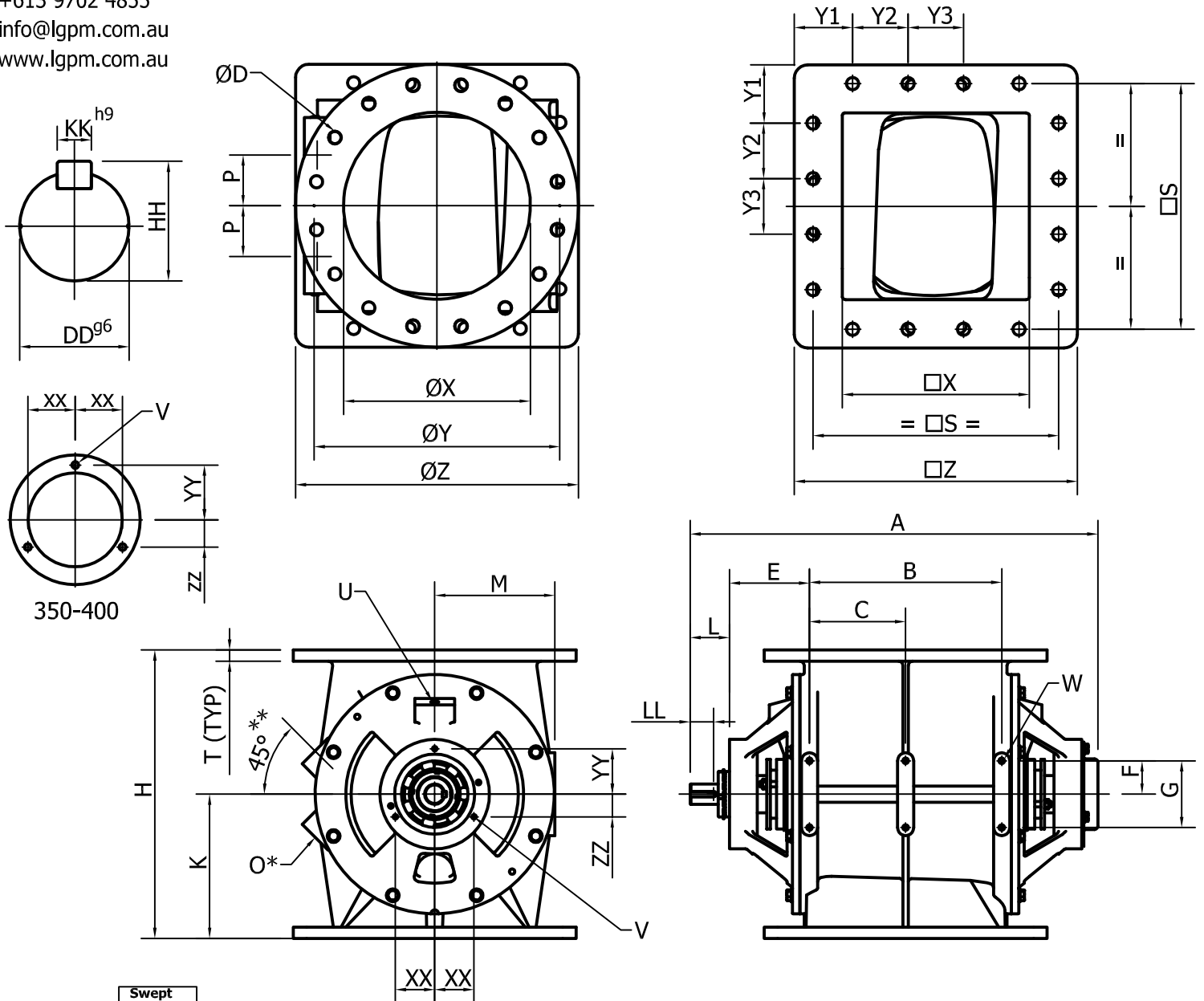


Dimension of DST Rotary Valve - Bare shaft



Type DST	Swept Volume	Ø X	□ X	Ø Y	Ø Z	□ Z	Ø D	A	B	C	E	F	G	H	K	L	M	Ø*
	in M ³																	(BSP)
100	0.001	100	100	170	210	175	4xØ18	328	90	-	84	32.5	75	170	85	52	90	-
150	0.003	150	150	240	285	267	8xØ23	484	146	73	127	50	100	275	137.5	60	110	¾"
200	0.006	200	200	295	340	320	8xØ23	524	190	95	125	50	100	325	162.5	60	130	1"
250	0.011	250	250	350	395	370	12xØ23	609	234	117	138	62.5	125	380	190	72	160	1 ¼"
300	0.019	300	300	400	483	445	12xØ23	659	284	142	138	62.5	125	450	225	72	190	1 ¼"
350	0.034	350	350	460	530	530	16xØ23	763	360	180	150	62.5	125	540	270	74	225	1 ½"
400	0.058	400	400	515	595	595	16xØ26	833	420	210	155	62.5	125	660	330	74	270	1 ½"

Type DST	P	T	V	W	XX	YY	ZZ	DD	KK	HH	LL	□ S	Y1	Y2	Y3	U
100	-	11	3xM6	4xM10	-	35	35	25	8	28	43	135	20	135	-	1/8"
150	40	11	3xM6	4xM10	37.1	52.5	37.1	30	8	33	36	222	88	92	-	1/4"
200	53	14	3xM6	6xM10	37.1	52.5	37.1	30	8	33	36	273	104	113	-	1/4"
250	65	14	3xM8	6xM12	55.4	64	32	32	10	35	44	324	23	108	108	1/4"
300	75	21	3xM8	6xM12	55.4	64	32	32	10	35	44	384	30.5	128	128	1/4"
350	95	21	3xM10	6xM12	73.6	85	42.5	38	10	41	45	460	109	104	104	3/8"
400	112	26	3xM10	6xM12	73.6	85	42.5	38	10	41	45	515	125	115	115	3/8"

* Standard pre - drilled & plug tapped holes for cast iron execution.
** O° For Size DST - 100

All dimensions are in mm.
Note: We reserve the rights to modify the dimensions without prior notice.