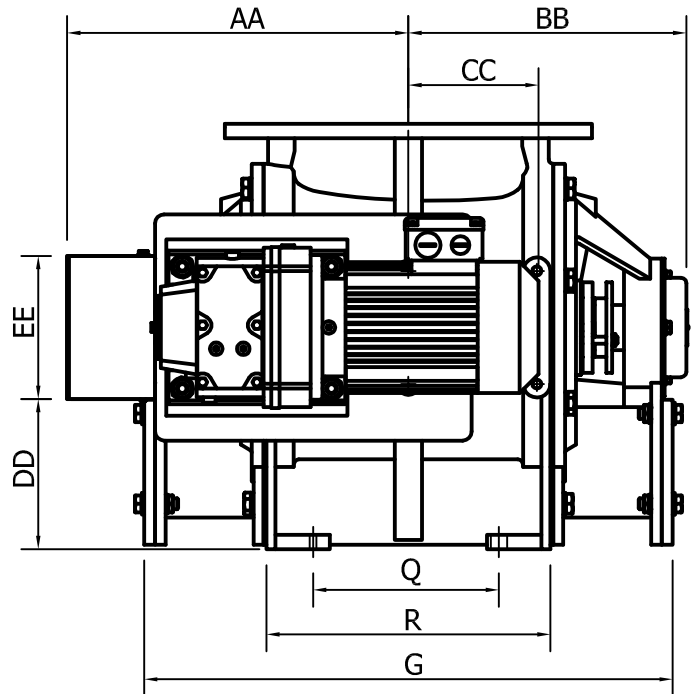
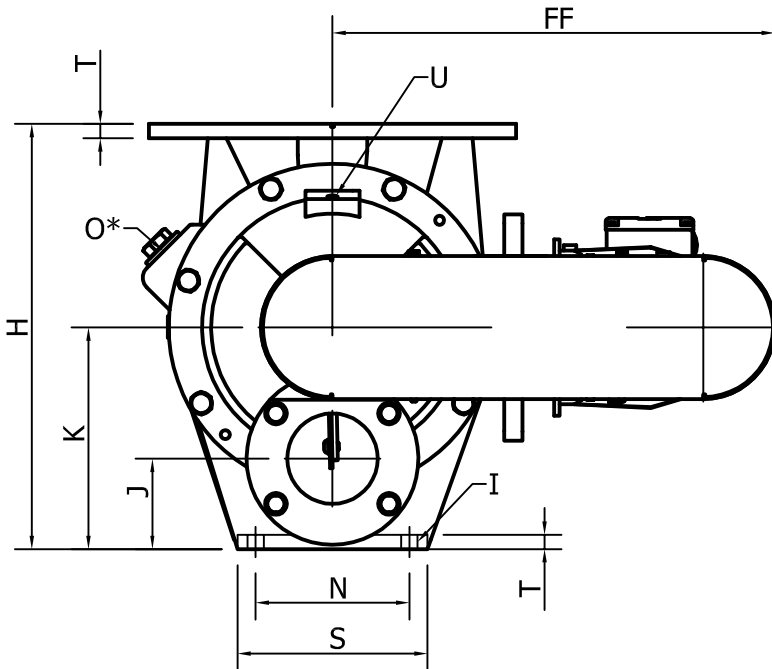
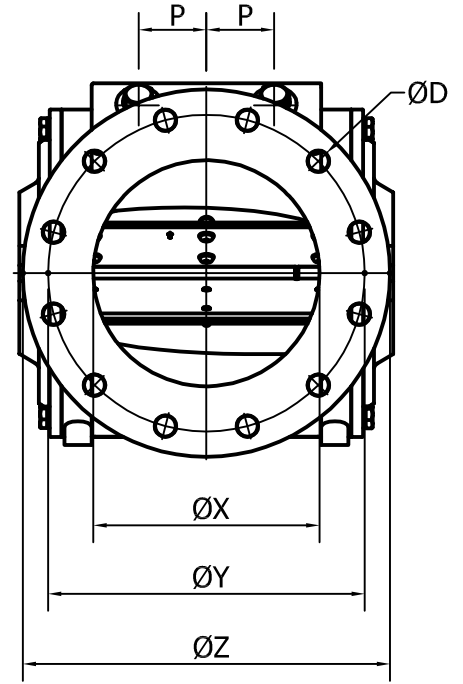
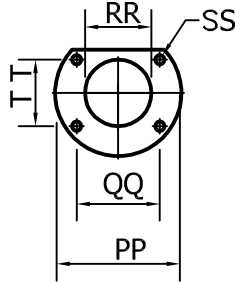
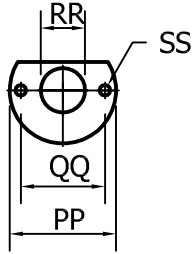


# Dimension of BT Rotary Valve - Chain Drive

+613 9702 4855

info@lgpm.com.au

www.lgpm.com.au



Type BT	Swept Volume in M <sup>3</sup>	DIN				ANSI #150				G	H	I	J	K	N	O* (BSP)	P	Q	R	S	T	U (BSP)
		Ø X	Ø Y	Ø D	Ø Z	Ø Y	Ø D															
150	0.003	150	240	8xØ23	285	241.3	8xØ22.2	420	295	4xØ12	65	155	110	¾"	40	100	154	140	12	¼"		
175	0.006	175	270	8xØ23	315	-	-	460	340	4xØ14	75	175	130	1"	53	130	190	160	14	¼"		
200	0.011	200	295	8xØ23	343	298.4	8xØ22.2	535	410	4xØ18	90	215	160	1 ¼"	65	160	230	200	14	¼"		
250	0.019	250	350	12xØ23	406	361.9	12xØ25.4	585	470	4xØ18	100	245	170	1 ¼"	75	200	274	210	16	¼"		
300	0.034	300	400	12xØ23	483	431.8	12xØ25.4	685	565	4xØ23	120	295	190	1 ½"	95	260	350	240	21	⅜"		
350	0.058	350	460	16xØ23	530	476.2	12xØ28.6	755	665	4xØ23	132	335	220	1 ½"	112	310	410	270	26	⅜"		

Type BT	AA	BB	CC	DD	EE	FF	PP	QQ	RR	SS	TT	Type SEW
150	275	225	155	100	140	350	120	95	50	2xØ12	-	R37
175	300	245	140	120	140	385	140	103.9	65	4xØ12	60.4	R37
200	350	280	175	150	165	460	170	114.7	80	4xØ14	80.3	R47
250	375	310	145	165	160	480	190	125	100	4xØ14	100	R47
300	440	360	125	195	205	530	230	163.8	125	4xØ14	114.7	R57
350	475	395	115	235	205	575	245	152	150	4xØ14	152	R67

\* Standard pre - drilled & plug tapped holes for cast iron execution.

All dimensions are in mm.

Note: We reserve the rights to modify the dimensions without prior notice.