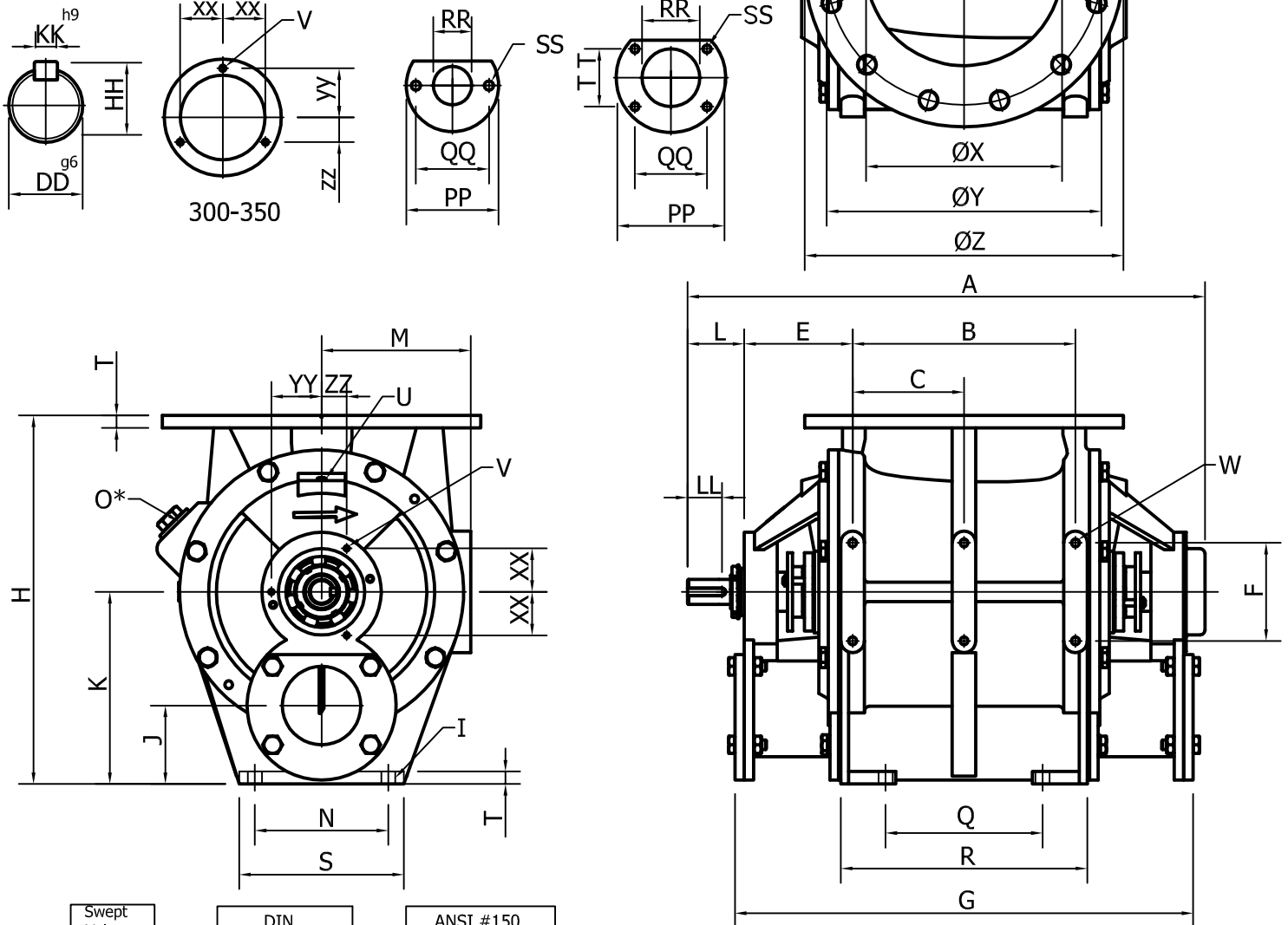


# Dimension of BT Rotary Valve - Bare Shaft

+613 9702 4855  
info@lgpm.com.au  
www.lgpm.com.au



Type BT	Swept Volume in M <sup>3</sup>	DIN				ANSI #150		A	B	C	E	F	G	H	I	J	K	L	M
		Ø X	Ø Y	Ø D	Ø Z	Ø Y	Ø D												
150	0.003	150	240	8xØ23	285	241.3	8xØ22.2	484	146	-	127	100	420	295	4xØ12	65	155	60	110
175	0.006	175	270	8xØ23	315	-	-	524	190	-	125	100	460	340	4xØ14	75	175	60	130
200	0.011	200	295	8xØ23	343	298.4	8xØ22.2	609	234	-	138	125	535	410	4xØ18	90	215	72	160
250	0.019	250	350	12xØ23	406	361.9	12xØ25.4	659	284	142	138	125	585	470	4xØ18	100	245	72	190
300	0.034	300	400	12xØ23	483	431.8	12xØ25.4	763	360	180	150	125	685	565	4xØ23	120	295	74	225
350	0.058	350	460	16xØ23	530	476.2	12xØ28.6	833	420	210	155	125	755	665	4xØ23	132	335	74	270

Type BT	N	O* (BSP)	P	Q	R	S	T	U (BSP)	V	W	XX	YY	ZZ	DD	KK	HH	LL	PP	QQ	RR	TT	SS
150	110	¾"	40	100	154	140	12	¼"	3xM6	4xM10	37.1	52.5	37.1	30	8	33	35	120	95	50	-	2xØ12
175	130	1"	53	130	190	160	14	¼"	3xM6	4xM10	37.1	52.5	37.1	30	8	33	35	140	103.9	65	60.4	4xØ12
200	160	1 ¼"	65	160	230	200	14	¼"	3xM8	4xM12	55.4	64	32	32	10	35	43	170	114.7	80	80.3	4xØ14
250	170	1 ¼"	75	200	274	210	16	¼"	3xM8	6xM12	55.4	64	32	32	10	35	43	190	125	100	100	4xØ14
300	190	1 ½"	95	260	350	240	21	⅜"	3xM10	6xM12	73.6	85	42.5	38	10	41	44	230	163.8	125	114.7	4xØ14
350	220	1 ½"	112	310	410	270	26	⅜"	3xM10	6xM12	73.6	85	42.5	38	10	41	44	244	152	150	152	4xØ14

\* Standard pre - drilled & plug tapped holes for cast iron execution.

All dimensions are in mm.

Note: We reserve the rights to modify the dimensions without prior notice.