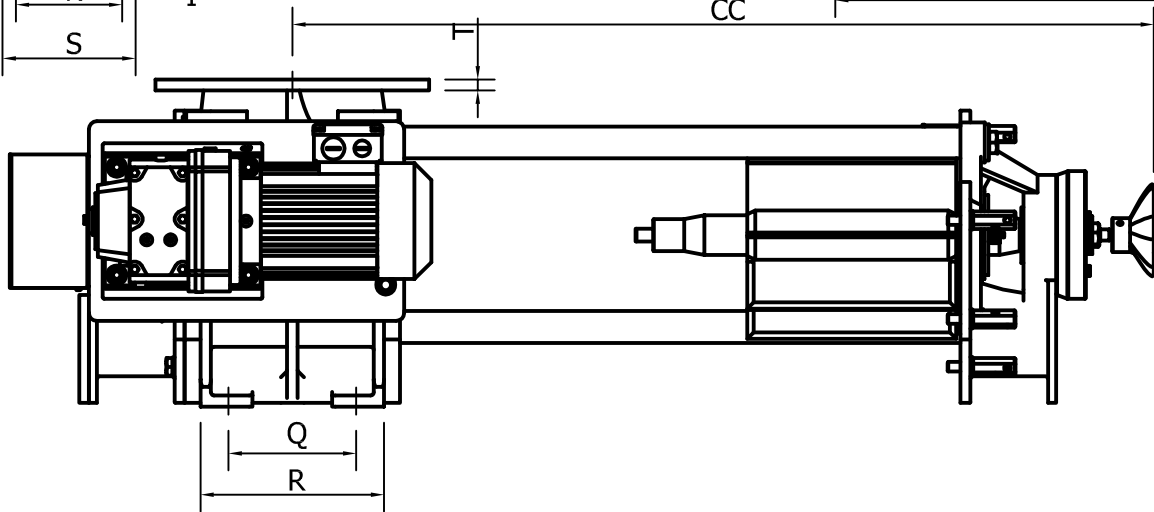
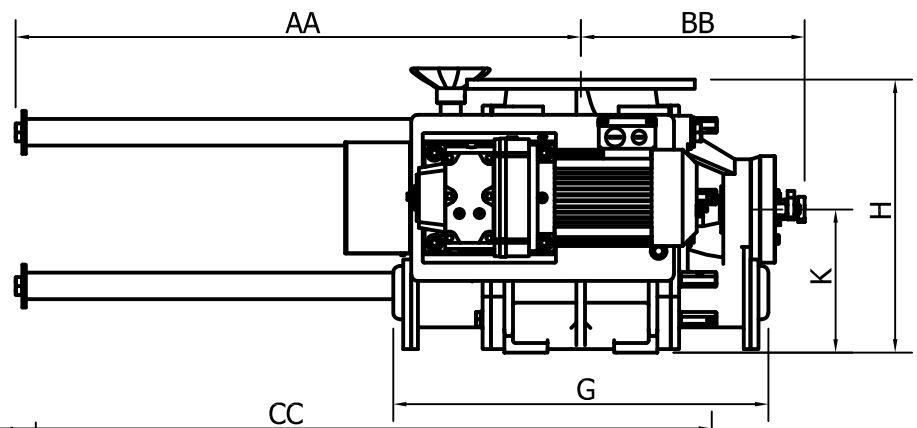
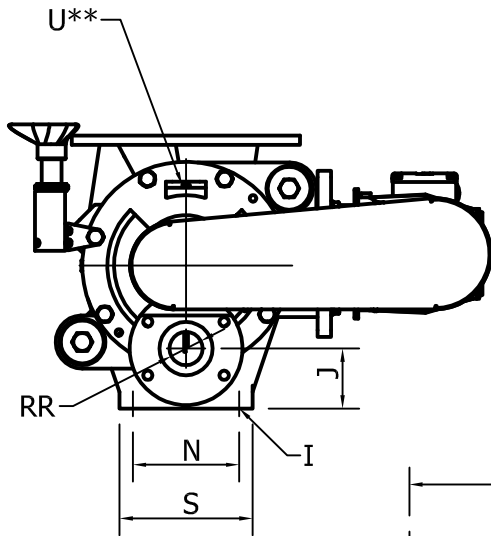
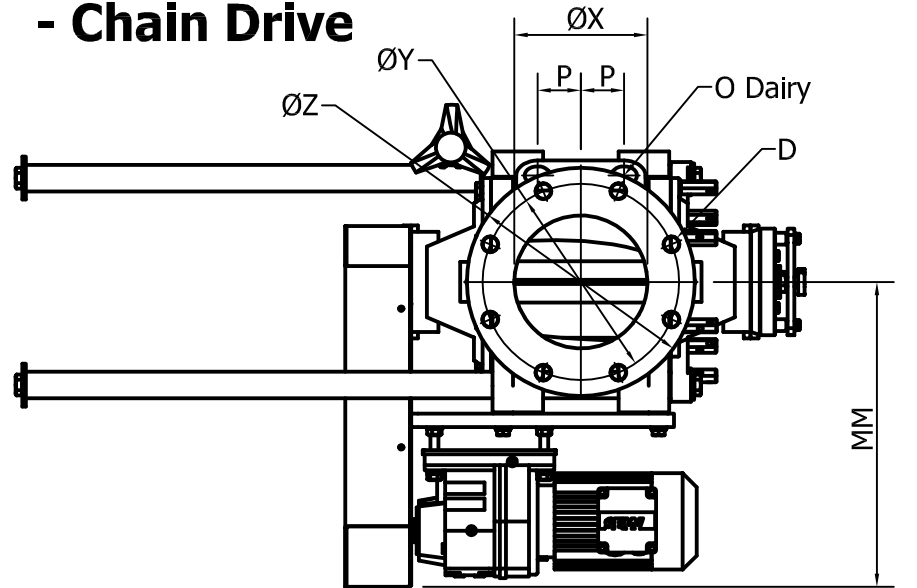


Dimension of BT-DCSR Rotary Valve - Chain Drive



Type BT	Swept Volume in M ³	DIN			ANSI #150			H	I	J	K	MM	N	P	Q	R	S	T	U** (BSP)
		Ø X	Ø Y	Ø D	Ø Z	Ø Y	Ø D												
150	0.003	150	240	8xØ23	285	241.3	8xØ22.2	295	4xØ12	65	155	356	110	40	100	154	140	12	¼" (Ø10)
175	0.006	175	270	8xØ23	315	-	-	340	4xØ14	75	175	385	130	53	130	190	160	14	¼" (Ø10)
200	0.011	200	295	8xØ23	343	298.4	8xØ22.2	410	4xØ18	90	215	459	160	65	160	230	200	14	¼" (Ø10)
250	0.019	250	350	12xØ23	406	361.9	12xØ25.4	470	4xØ18	100	245	479	170	75	200	274	210	16	¼" (Ø10)
300	0.034	300	400	12xØ23	483	431.8	12xØ25.4	565	4xØ23	120	295	527	190	95	260	350	240	21	¾" (Ø10)
350	0.058	350	460	16xØ23	530	476.2	12xØ28.6	665	4xØ23	132	335	572	220	112	310	410	270	26	¾" (Ø10)

Type BT	O Dairy (UNEF)	G Dairy	RR Dairy	G	RR(max)	AA	BB	CC
150	1 ½"	465	35	420	50	655	275	895
175	1 ½"	505	50	460	65	635	295	875
200	1 ½"	575	50	535	80	855	330	1110
250	1 ½"	625	70	585	100	830	355	1085
300	1 ½"	685	100	685	125	890	405	1155
350	1 ½"	755	125	755	150	1055	440	1315

**Air purge connection
 All dimensions are in mm.

Note: We reserve the rights to modify the dimensions without prior notice.